

**DS-3WR18X**  
**1800M Wi-Fi 6 Wireless Router**

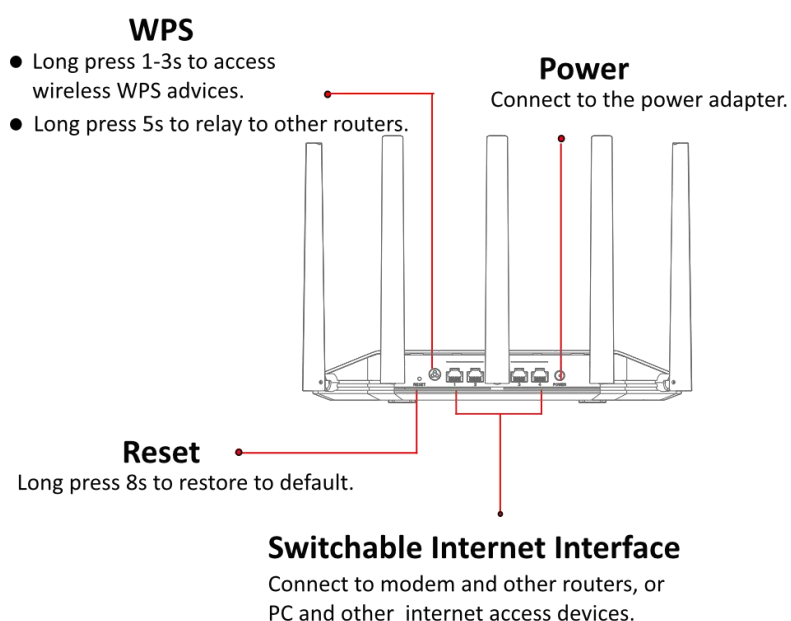
- 1800Mbps Wi-Fi 6.
- Wired Wireless Dual Gigabit.
- Dual Band in One and 5G First.
- APP Management.

## ▪ Specification

| General                       |  |
|-------------------------------|--|
| Product Dimension (W × H × D) | 281.7 mm × 145.0 mm × 204.1 mm   |
| Package Dimension (W × H × D) | 365 mm × 340 mm × 73 mm  |
| Net Weight                    | 0.40 kg  |
| Packing List                  | 1800Mbps Wi-Fi6 Router x 1<br>Power Supply Adaptor x 1<br>CAT5e Network Cable x 1<br>Quick Start Guide x 1<br>Regulatory Compliance and Safety Information x 1 |
| Packing Method                | Single pack  |
| Working Temperature           | 0 °C to 40 °C (32 °F to 104 °F)  |
| Working Humidity              | 10% to 90% RH non-condensing   |
| Storage Temperature           | -40 °C to 70 °C (-40 °F to 158 °F)   |
| Storage Humidity              | 5% to 95% RH non-condensing  |
| Installation Mode             | Desktop installation   |
| Max. Power Consumption        | ≤ 10 W   |
| Gross Weight                  | 0.790 kg   |
| Wireless Parameter            |  |
| Data Rate                     | ≤ 1800 Mbps<br>5GHz: 1201Mbps<br>2.4GHz: 574Mbps   |
| Wireless Standard             | IEEE 802.11a/n/ac/ax @5GHz<br>IEEE 802.11b/g/n/ax @2.4GHz  |
| Working Frequency Band        | 2.4 GHz, 5 GHz   |
| Transmitting Power            | CE:<br>< 20dBm(2.4GHz)<br>< 23dBm(5GHz)  |
| Wireless Performance          | MU-MIMO supported<br>TxBeamforming supported   |
| Receiving Sensitivity         | 5GHz:<br>-89dBm@HE80-MCS0<br>-60dBm@HE80-MCS11<br>2.4GHz:<br>-93dBm@HT40-MCS0<br>-73dBm@HT40-MCS7  |
| Antenna                       | 5 high gain antennas   |
| Hardware Parameter            |  |
| Network Interface             | 1 × 10/100/1000 Mbps Adaptive WAN Port<br>3 × 10/100/1000 Mbps Adaptive LAN Ports  |
| LED Indicator                 | LED indicator  |
| Reset                         | Reset button   |
| Power Supply Method           | Power Supply Adapter   |
| Power Specifications          | DC 12 V, 1 A   |

| Software Function    |   |
|----------------------|---|
| Application function | Routing Mode, Wireless Relay Mode, Wired Bridge Mode supported<br>DHCP Server supported<br>Guest Network Configuration supported<br>Signal Adjustment supported<br>WiFi Schedule supported<br>Daylight Saving Time supported<br>VLAN,<br>WAN Self-Adaption<br>IPv6<br>Time Synchronization<br>Quick Diagnosis<br>PPPoE<br>DHCP<br>Support accessing the Internet through static IP mode |
| Security Mode        | Support WPA2-PSK,WPA/WPA2-PSK,WPA2-PSK/WPA3-SAE   |
| Security Mechanism   | Support fast and secure WPS connection<br>Support hiding wireless network name<br>Support controlling terminal network connection<br>Support firewalls<br>Login Authentication<br>VPN Client<br>Port Mapping<br>DMZ<br>UPNP   |
| Management Method    | Web, HPP, HC  |
| Upgrade              | Web, App Update and Upgrade   |
| System Log           | System log  |

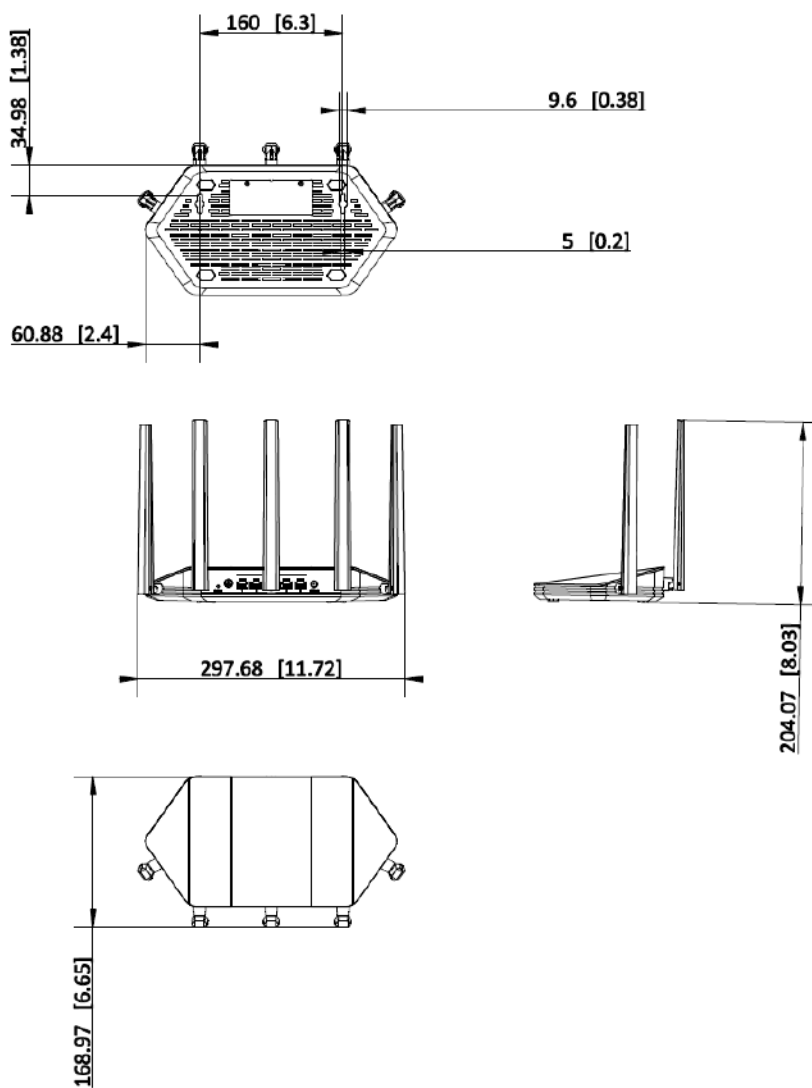
## ▪ Physical Interface



▪ **Available Model**

DS-3WR18X

▪ **Dimension**



**Headquarters**

No.555 Qianmo Road, Binjiang District,  
Hangzhou 310051, China  
T +86-571-8807-5998  
www.hikvision.com



Follow us on social media to get the latest product and solution information.

